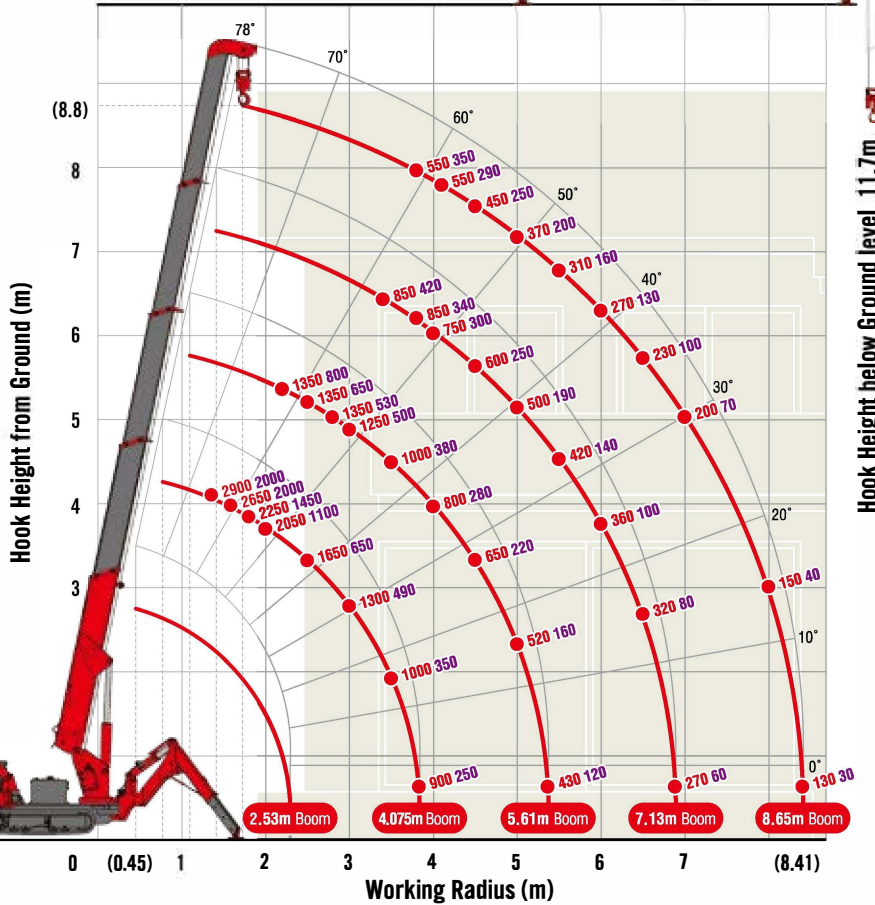
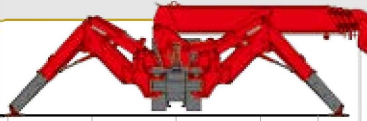


URW295C

MINI CRAWLER CRANE

WORKING RANGE & NET RATED LOADS (kg)

Outrigger ● Max-extended NOT max-extended



Hook Height below Ground level 1.7m

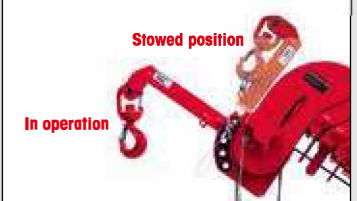
with Electric power unit (Option)



Rated power	3.7kW (3-phase 4 poles)
Voltage	AC 200V or 400V (50Hz / 60Hz)

*No cable included.

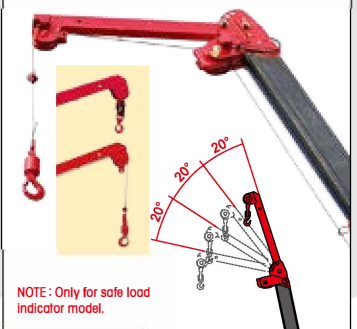
Searcher hook assembly (Option)



NOTE: Only for safe load indicator model.

Length	500mm
Lifting capacity	Max. 300kg
Tilt angles	0°, 20°, 40°, 60°

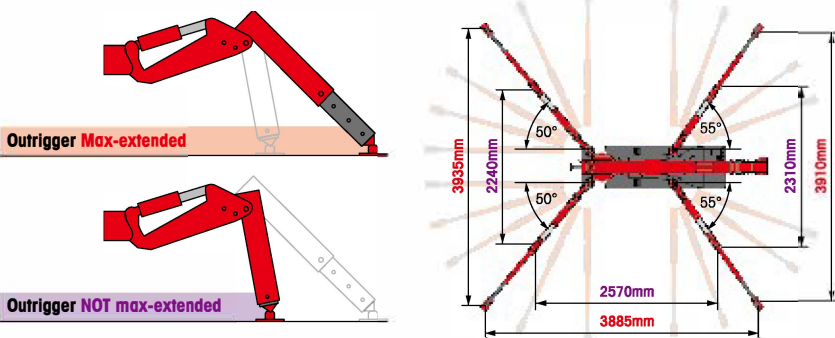
Fly jib assembly (Option)



NOTE: Only for safe load indicator model.

Length	1.5m
Lifting capacity	Max. 710kg
Tilt angles	0°, 20°, 40°, 60°

OUTRIGGER POSITIONS

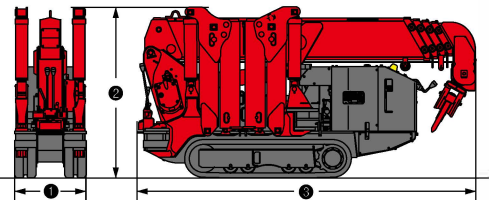


NOTE: Safe load indicator model may place each outrigger at one-angle

CRAWLING GEAR [with Electric power unit]

Crane model	URW295CP2	URW295C4
Crawling speed	0~2.3 km/h, forward / backward [AC200V 50Hz] 0~1.2 km/h [AC200V 60Hz] 0~1.4 km/h [AC400V 50Hz] 0~1.1 km/h [AC400V 60Hz] 0~1.3 km/h	0~2 km/h, forward / backward [AC200V 50Hz] 0~1.2 km/h [AC200V 60Hz] 0~1.4 km/h [AC400V 50Hz] 0~1.1 km/h [AC400V 60Hz] 0~1.3 km/h
Hill climbing ability	20°	20°
Tread length × width	1050mm × 180mm	1050mm × 180mm
Ground contact pressure	48.0 kPa [0.49 kgf/cm ²] 51.4 kPa [0.52 kgf/cm ²]	49.8 kPa [0.51 kgf/cm ²] 53.0 kPa [0.54 kgf/cm ²]
Engine manufacturer / model	Mitsubishi / GB400LE	Kubota / Z482-E4B
Displacement	391 cc	479 cc
Maximum output	6.6kW(9PS) / 1800 rpm, Rated output	7.2kW(9.8PS) / 2600 rpm, Rated output
Fuel	Petrol	Diesel
Fuel tank capacity	6 liters	10 liters
Steering	Hydraulic drive independent of left / right	Hydraulic drive independent of left / right

DIMENSIONS [with Electric power unit]



Crane model	URW295CP2	URW295C4
① Total width	600mm	
② Total height	1375mm [1430mm]	1380mm [1450mm]
③ Total length	2690mm	2730mm [2900mm]
Mass of crane	1850kg [1980kg]	1920kg [2040kg]