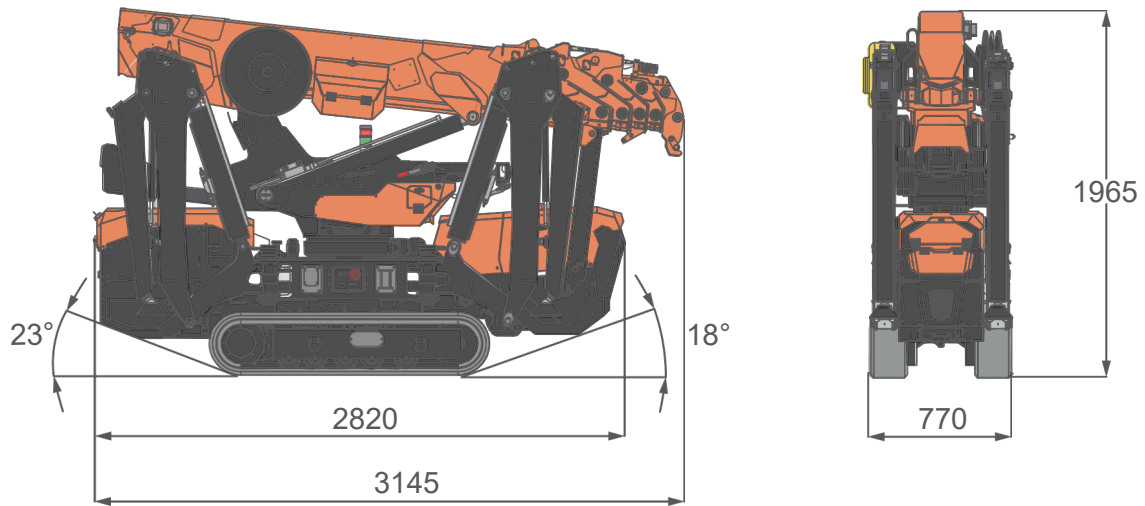
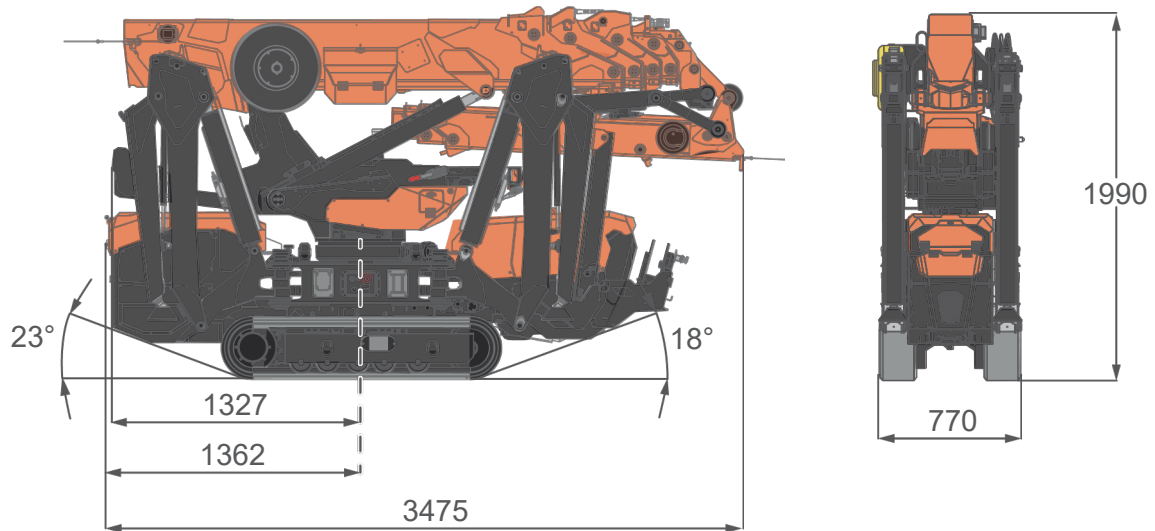


## OVERALL DIMENSIONS

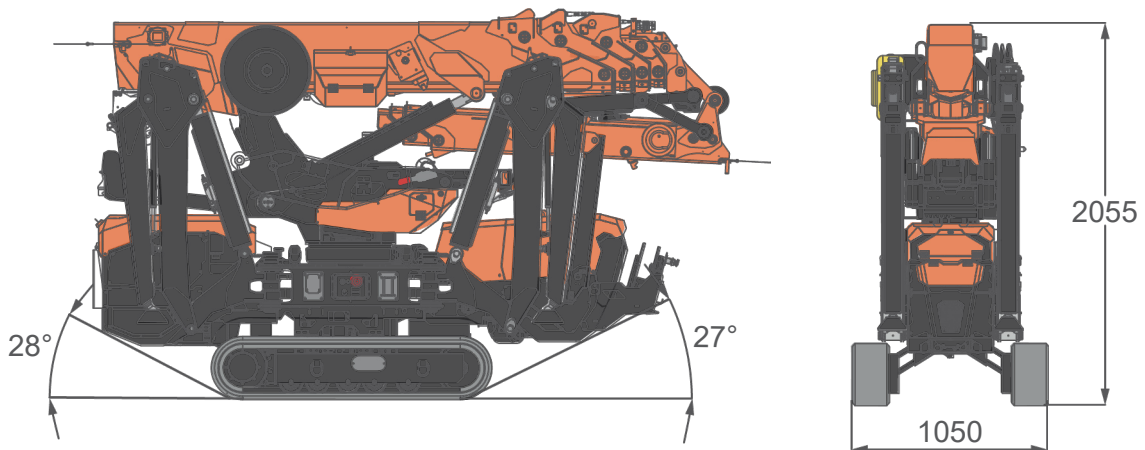
### NO JIB



### JIB MOUNTED

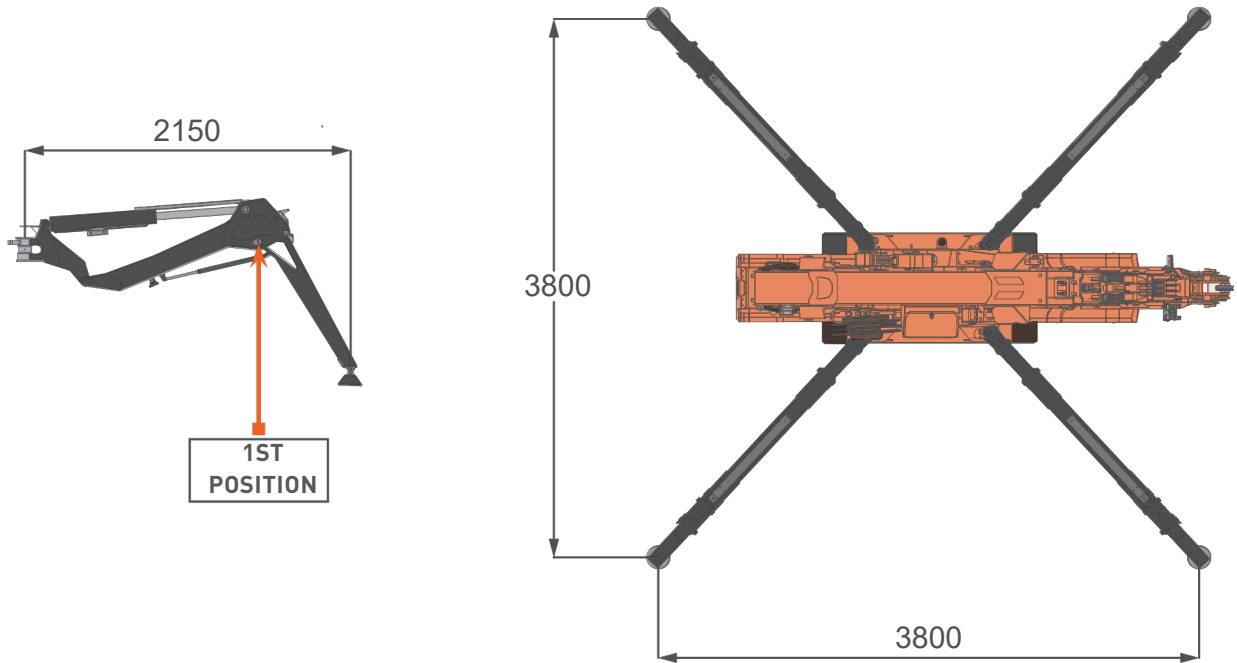


### EXTENDED TRACKS

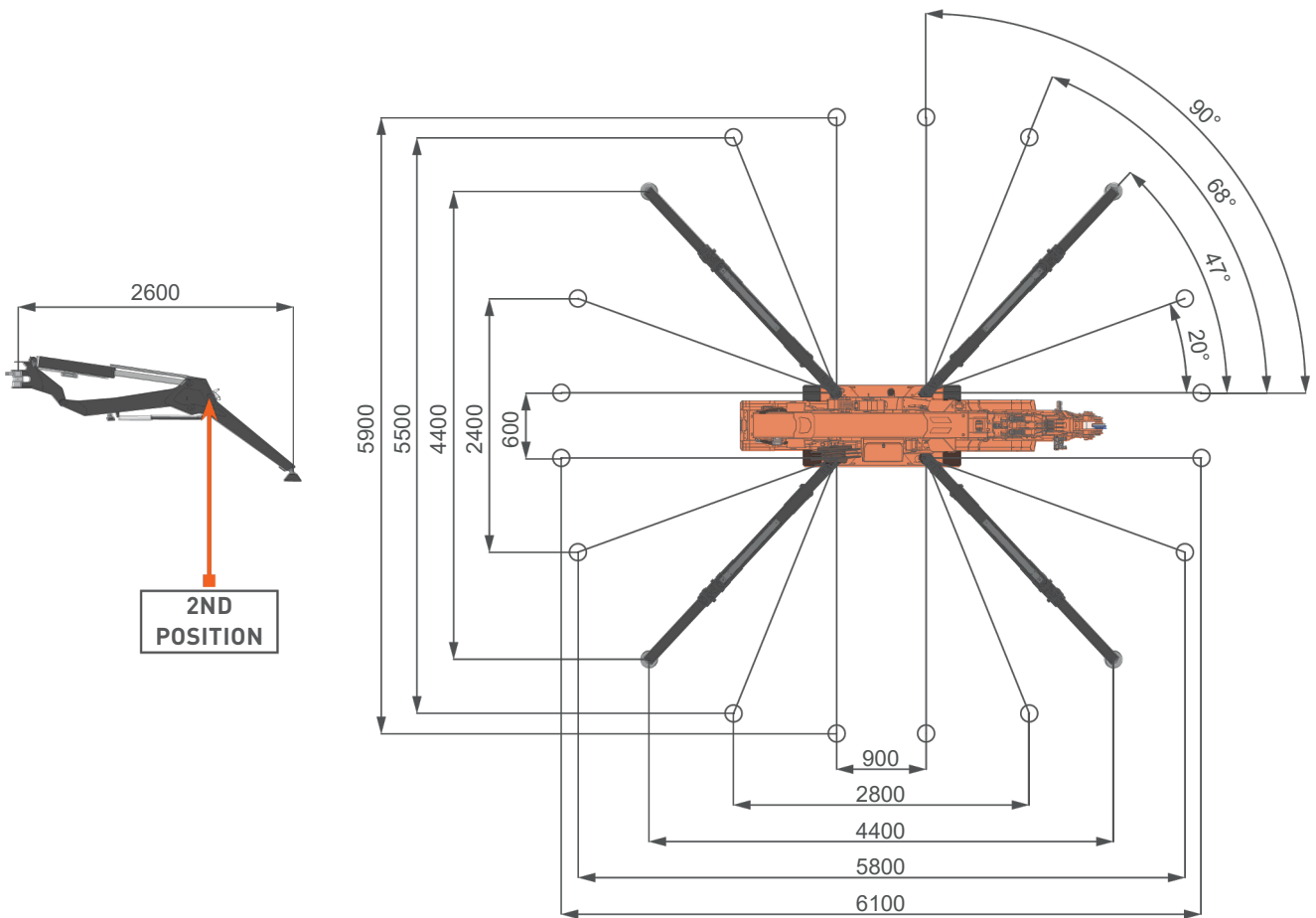


[mm]

## OVERALL DIMENSIONS OUTRIGGER 1<sup>ST</sup> POSITION STABILITY

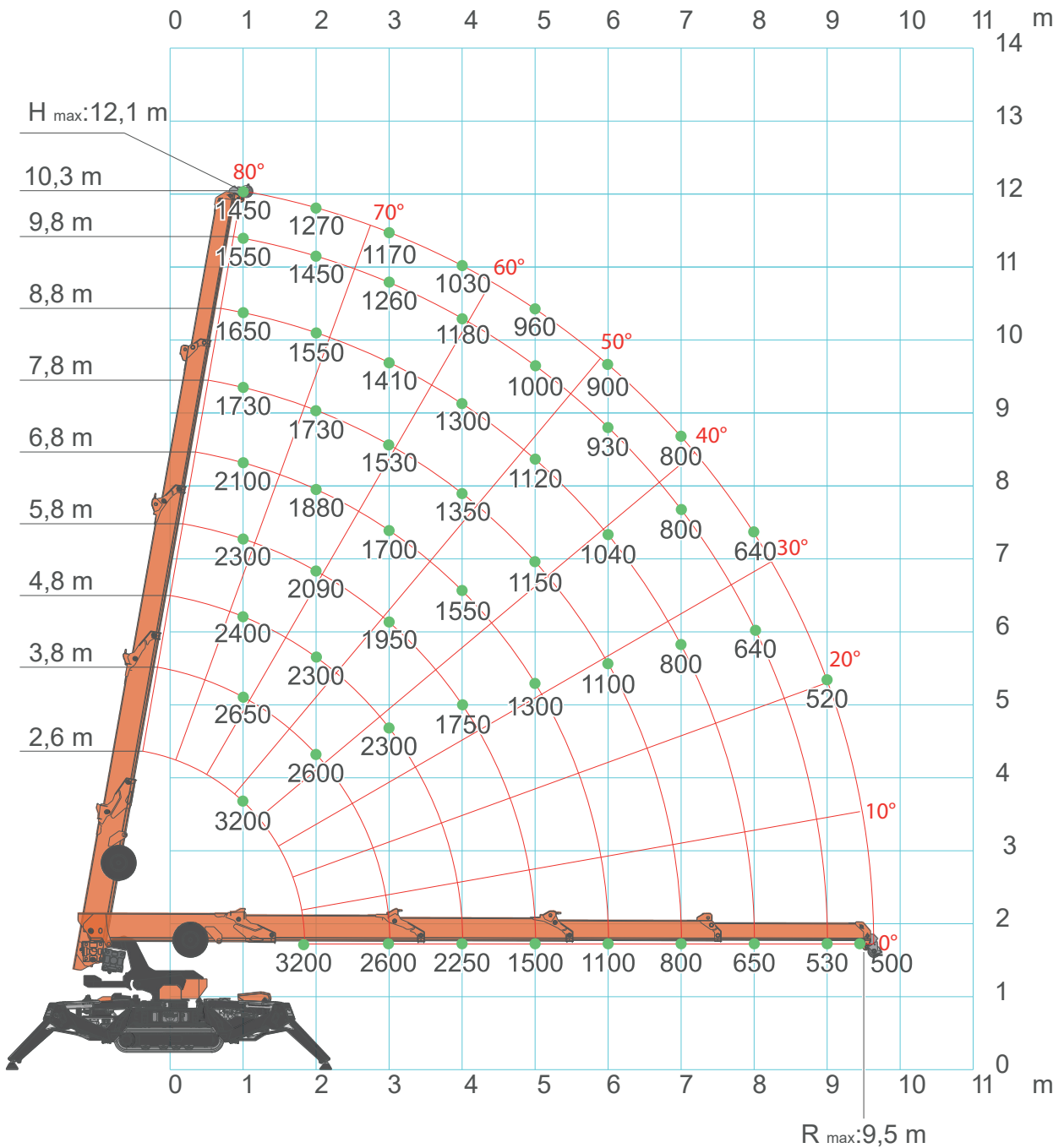


## OUTRIGGER 2<sup>ND</sup> POSITION FULL STABILITY



# SPX532

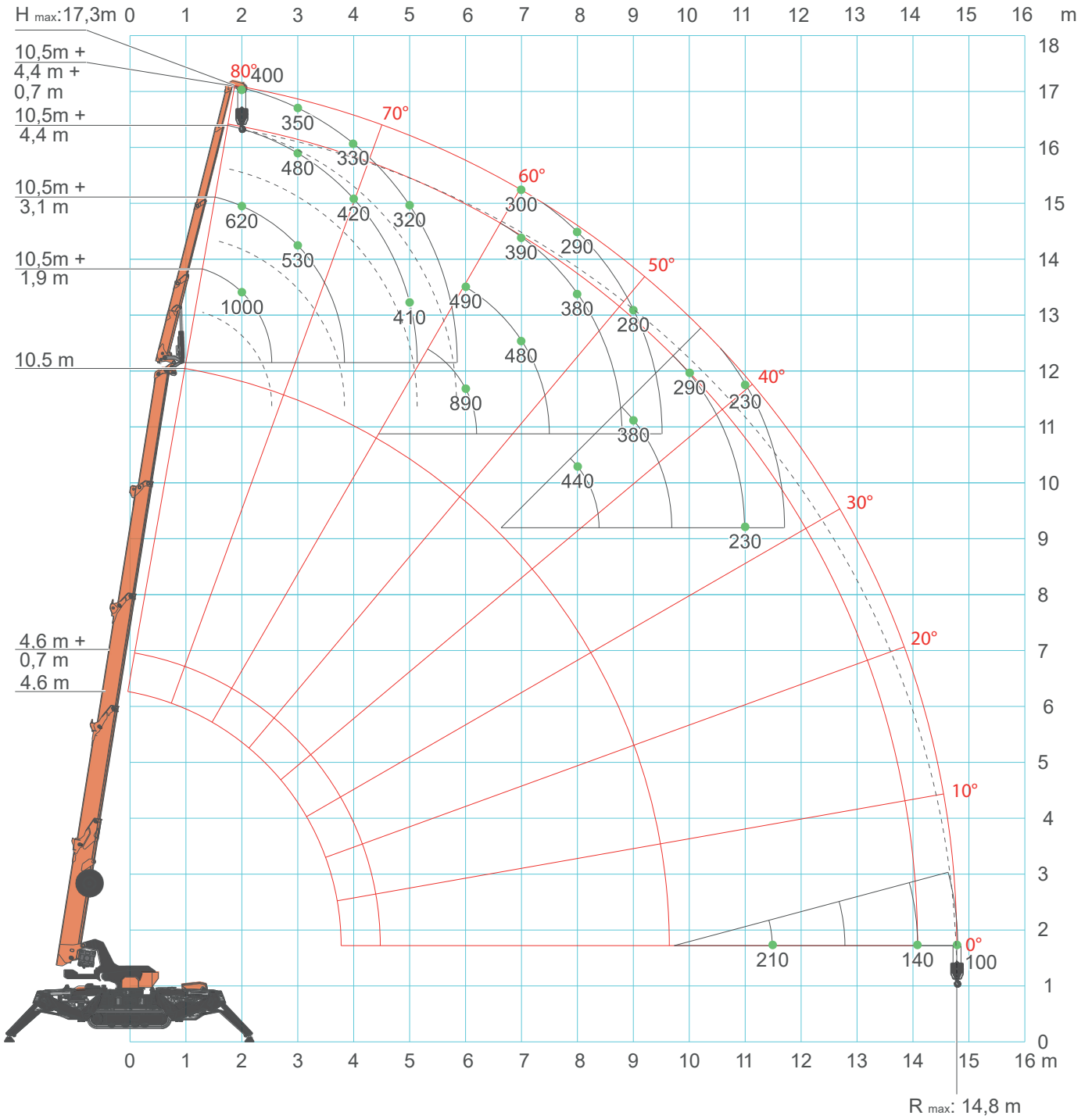
## MAIN BOOM



[kg]

# SPX532

## JIB



[kg]

## BEAM AND PIPE GRAB

